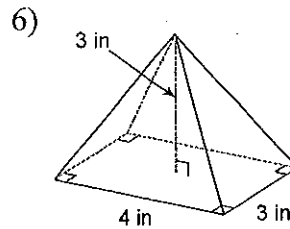
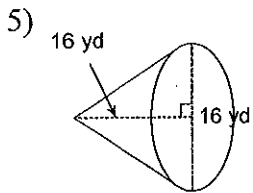
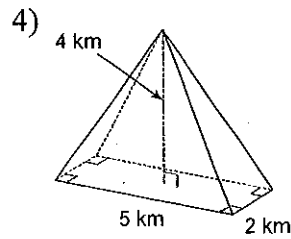
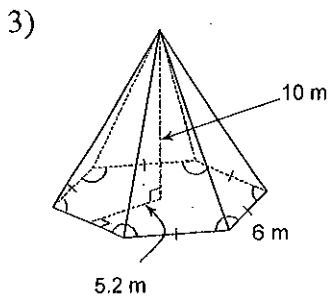
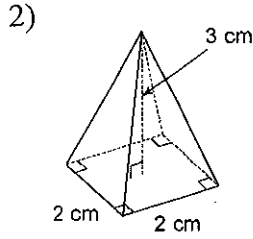
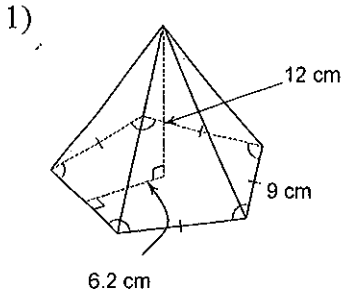
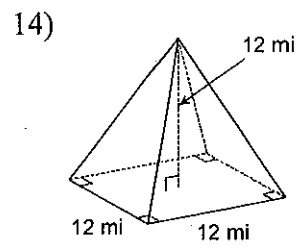
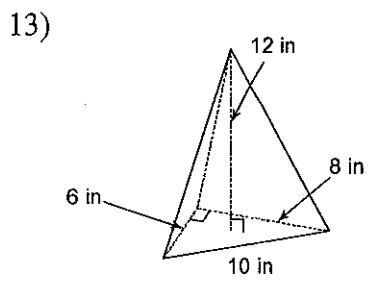
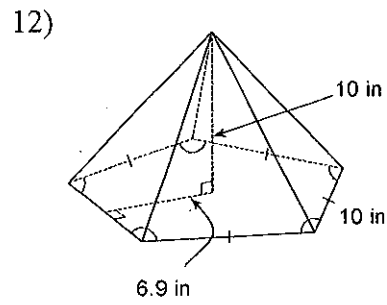
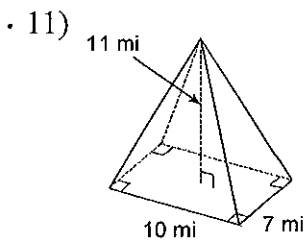
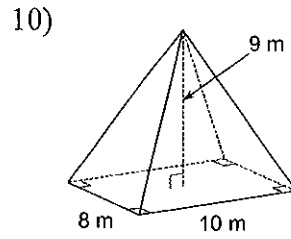
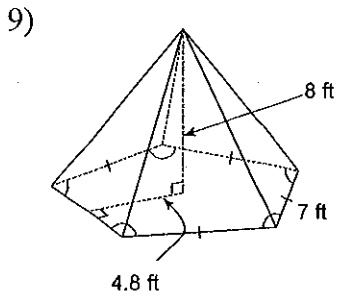
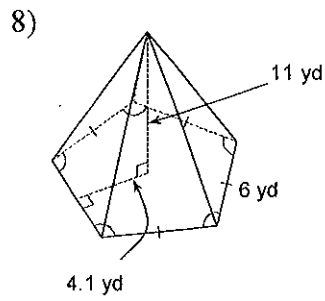
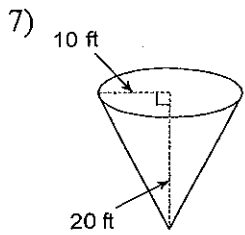


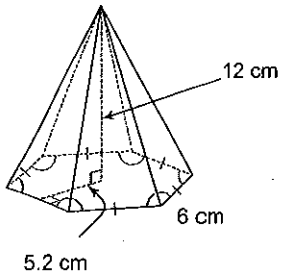
Assignment

Find the volume of each figure. Round your answers to the nearest hundredth, if necessary.

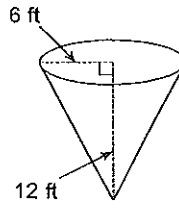




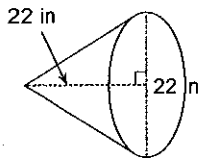
15)



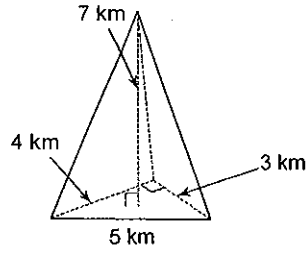
16)



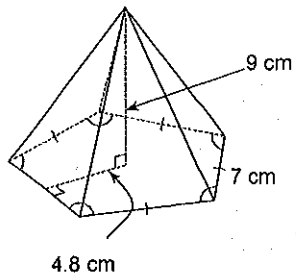
17)



18)



19)



20)

