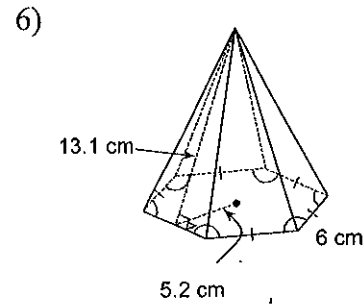
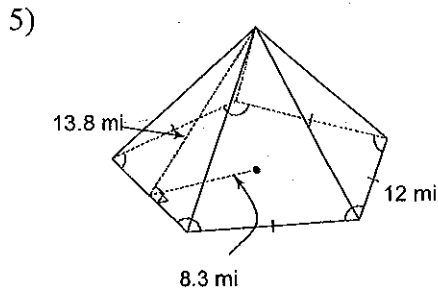
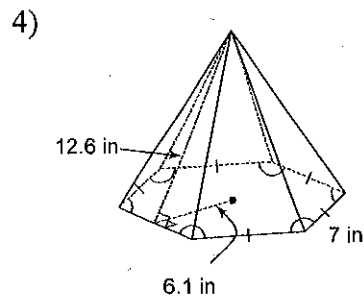
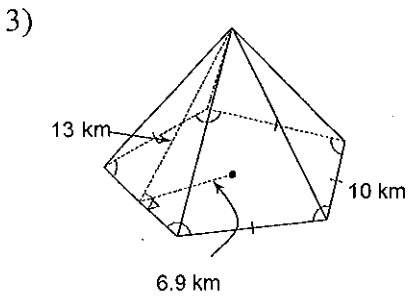
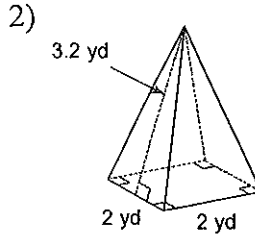
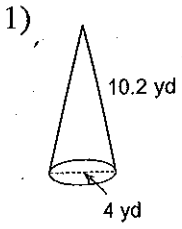
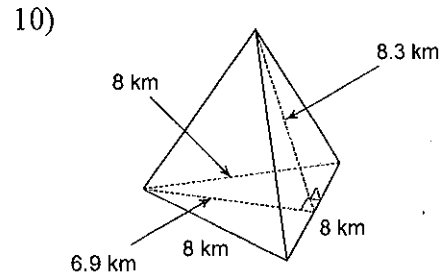
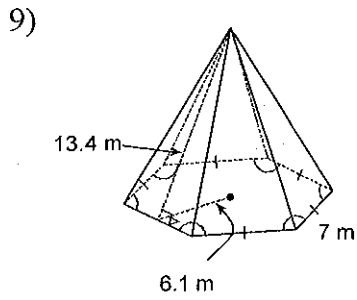
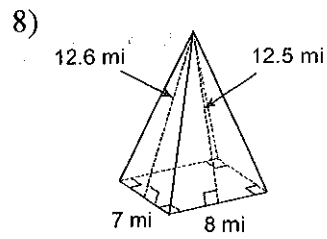
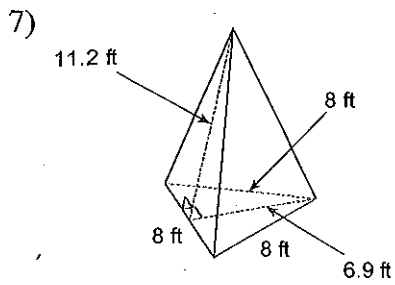


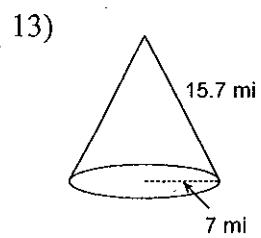
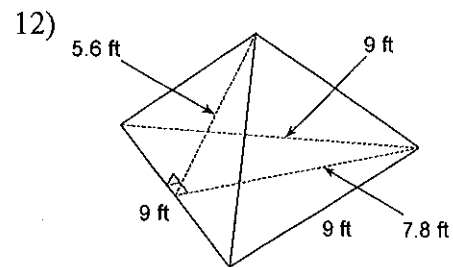
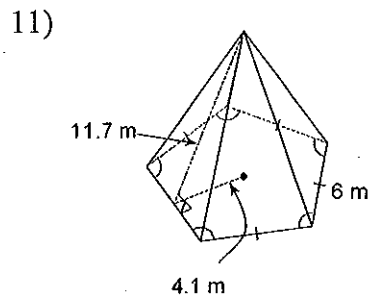
## Assignment

**Find the lateral area of each figure. Round your answers to the nearest hundredth, if necessary.**

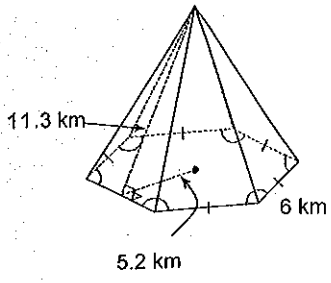




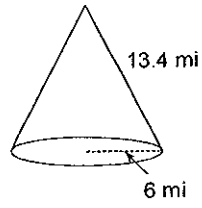
**Find the surface area of each figure. Round your answers to the nearest hundredth, if necessary.**



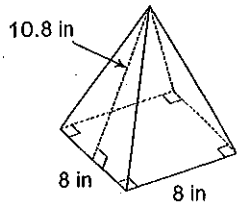
14)



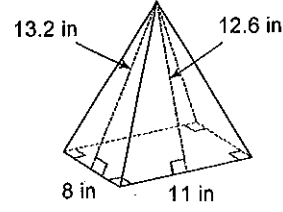
15)



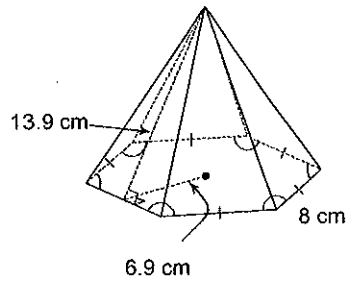
16)



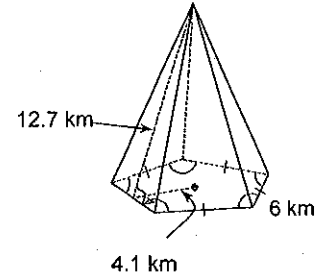
17)



18)



19)



20)

